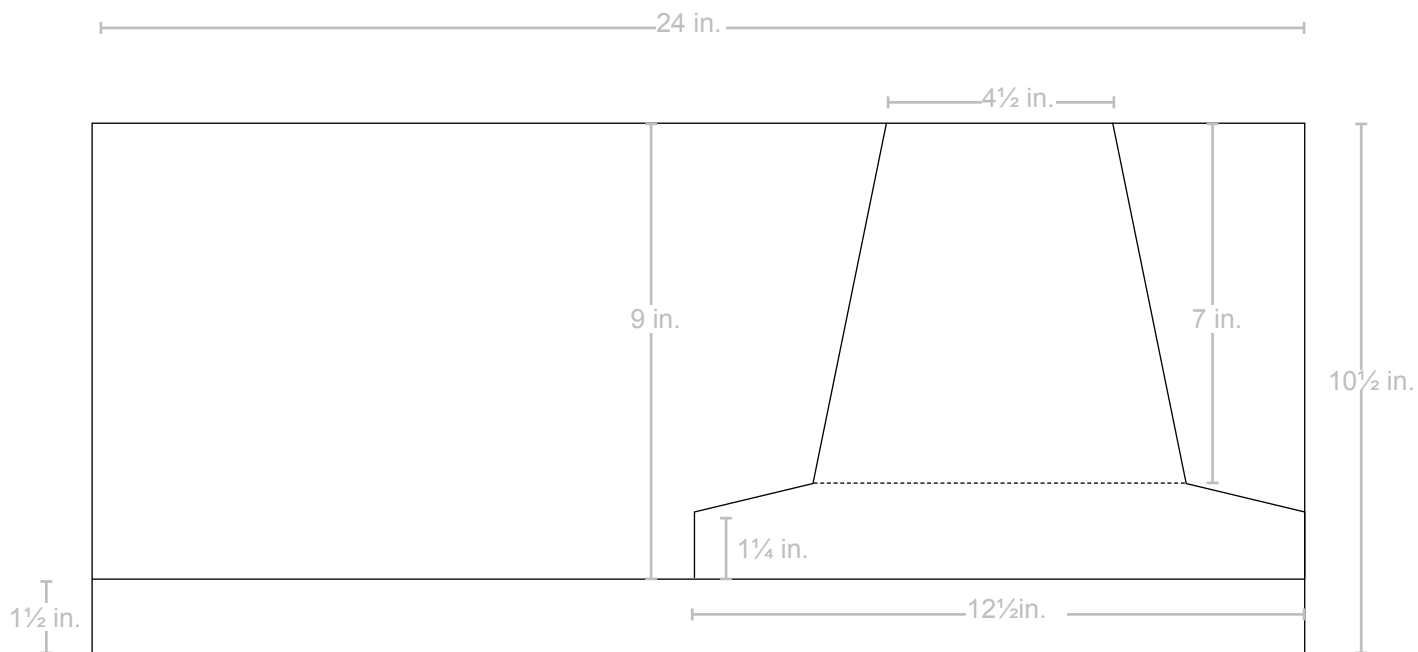


Template: "A Tale of Three Tables" Pilgrim Hat

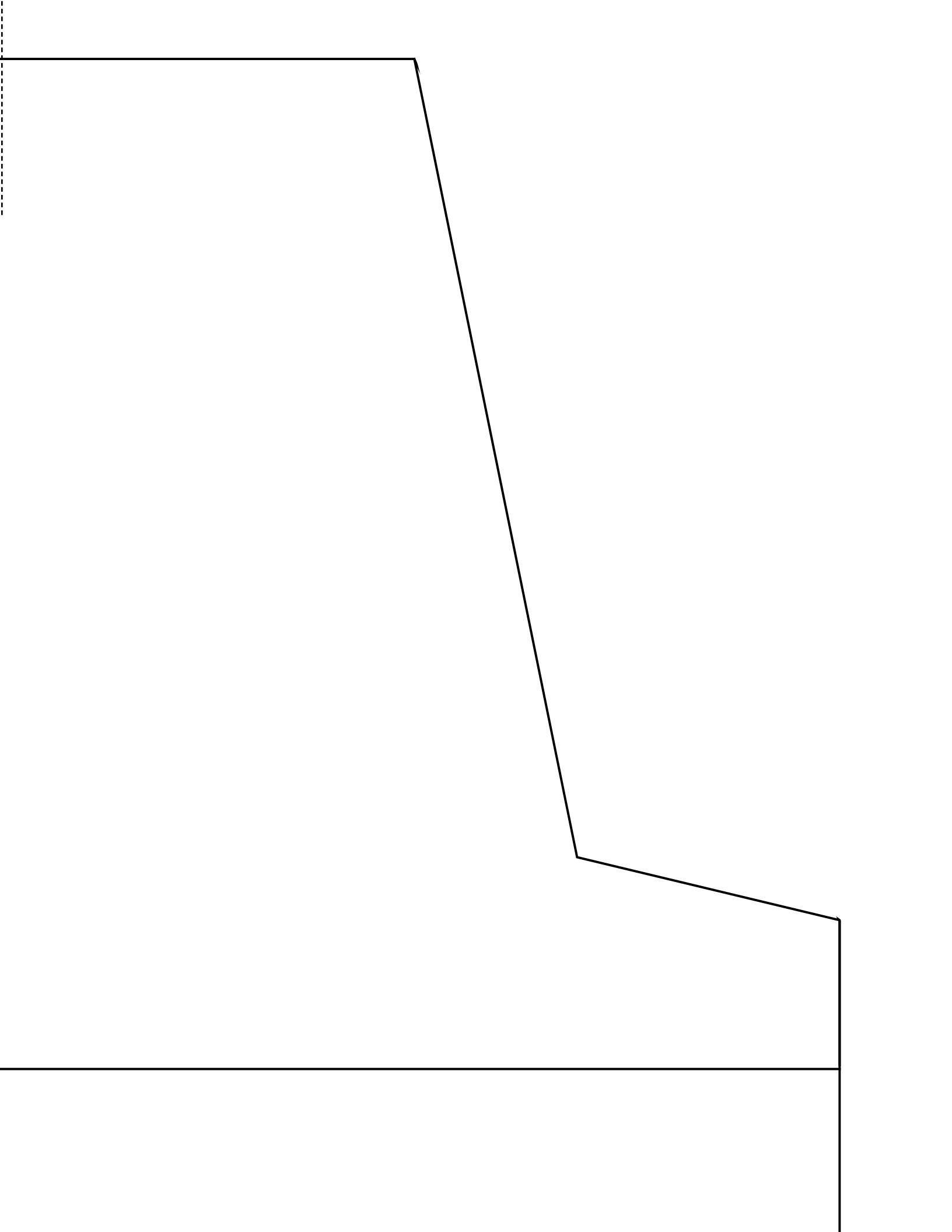
from *Martha Stewart Living* | www.marthastewart.com

Use this diagram as a guide to assemble and tape together the tiled template on the following pages. Cut along solid lines, and trace the shape onto drawing paper. The dotted line indicates where you'll fold the drawing paper.









Clip Art: Pilgrim Hats Buckle

from *Martha Stewart Living* | www.marthastewart.com

